

## AHW12 FRONT POST ASSEMBLY

REF. NO.	PART NO.	QUANTITY	DESCRIPTION
1		1	3/8 x 3/4 HEX BOLT
2		1	LOCKWASHER 3/8
3	AHW036	1	FLOAT ENCLOSURE PIN
4	AHW015	1	BOLT 1-1/2 x 8-1/2 GR.8
5	81018A	2	FLATWASHER 1-1/2 HARDENED
6	AHW020	1	HINGE PLATE BUSHING
7	AHW032	1	MECH. FLOAT LINK ASS'Y
8	80168H	1	LIFT CYLINDER 3-1/2 x 37-1/2
9	80569A	3	ROLL PIN 3/8 x 2-1/2
10	AHW016	2	LOWER PIPE BRACE ASS'Y
11	AHW065	1	1 x 4 LIFT CYL. RIVET PIN
12	AHW028	1	HINGE PIN ASS'Y
13	AHW034	1	KNUCKLE PIN ASS'Y
14	AHW042	2	SLIDING GUIDES
15	81065F	8	CAPSCREW 3/4 x 2-3/4 GR.8
16	81062D	14	FLATWASHER 3/4 HARDENED
17	81061	22	NUT 3/4
18	AHW017	1	UPPER PIPE BRACE
19	AHW008	1	BELLY PLATE
20	81039B	8	FLATWASHER 7/8 HARDENED
21	81042A	8	CAPSCREW 7/8 x 2-1/2 GR.8
22	AHW013	1	BRACE MOUNT
23	AHW001	1	12 FT. AHW MOLDBOARD
24			
25	AHW021	1	MECH. FLOAT PIN 1 x 5
26	AHW030	1	KNUCKLE ASS'Y
27	AHW025	1	HINGE ASS'Y
28	81010	2	SLOTTED NUT 1-1/2
29	80507	2	COTTER PIN 1/4 x 3 GR.2
30	81084F	14	CAPSCREW 1/2 x 4-1/2 GR.2



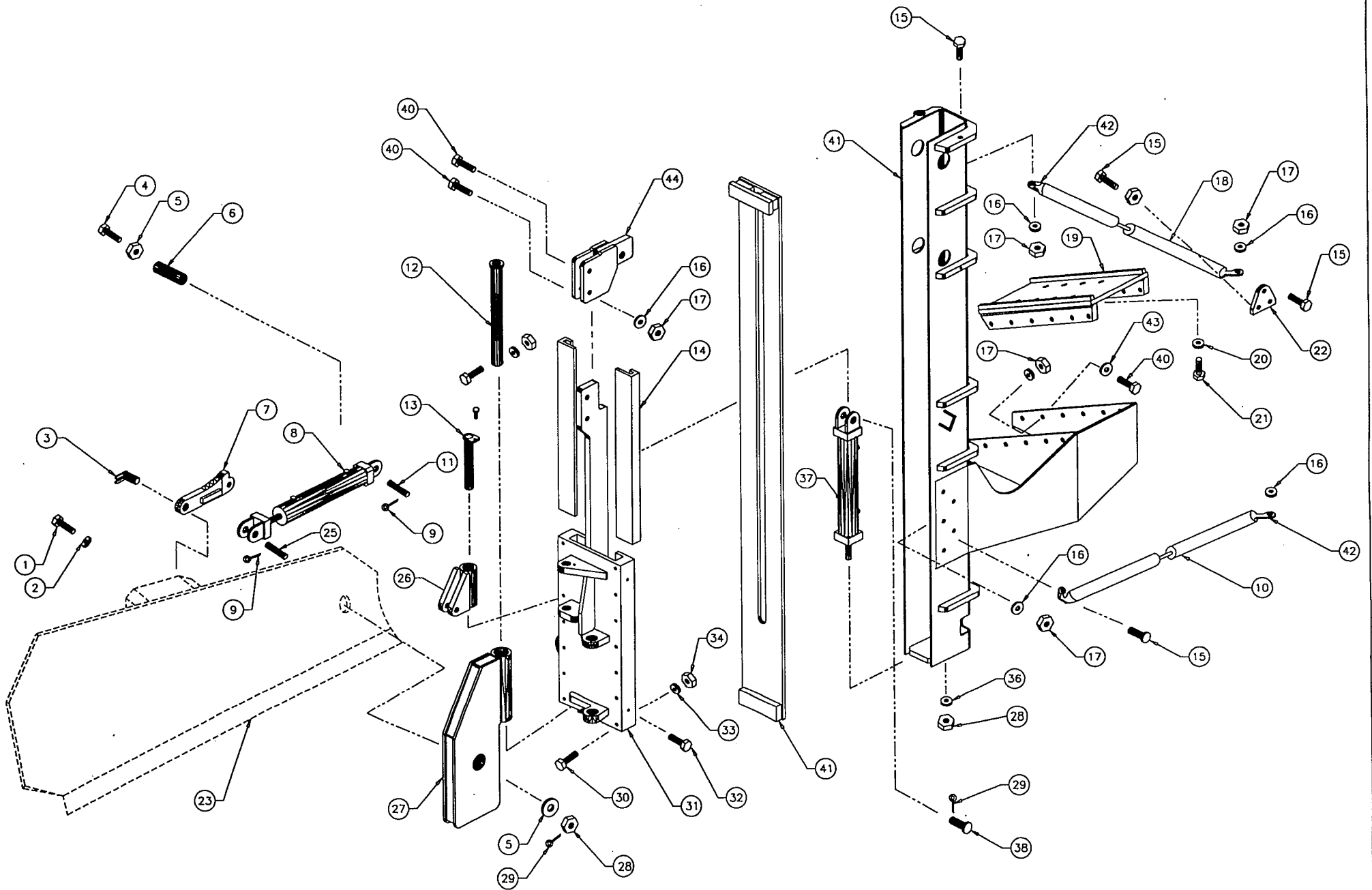
July 3, 1996

01970002

## AHW12 FRONT POST ASSEMBLY

REF. NO.	PART NO.	QUANTITY	DESCRIPTION
31	AHW003	1	SLIDE ASS'Y
32	81085	4	CAPSCREW 1/2 x 3-1/2 GR.2
33	81080B	16	FLATWASHER 1/2
34	81079E	16	NUT 1/2
35			
36	81018A	1	FLATWASHER 1-1/2 HARDENED
37	80169C	1	CYLINDER 3-1/2 x 66
38	AHW035	1	CONNECTING LINK PIN
39	AHW016	1	LOWER PIPE BRACE
40	81066T	14	BOLT 3/4 x 3-1/4 GR.8
41	AHW039	1	FRONT POST ASS'Y
42	80370A	6	BALL JOINTS / COMPRESSION
43	81062Z	24	FLATWASHER 3/4 x 1/4 THICK
44	00601039	1	HORIZONTAL CONNECTING LINK WELDMENT





VIKING CIVES

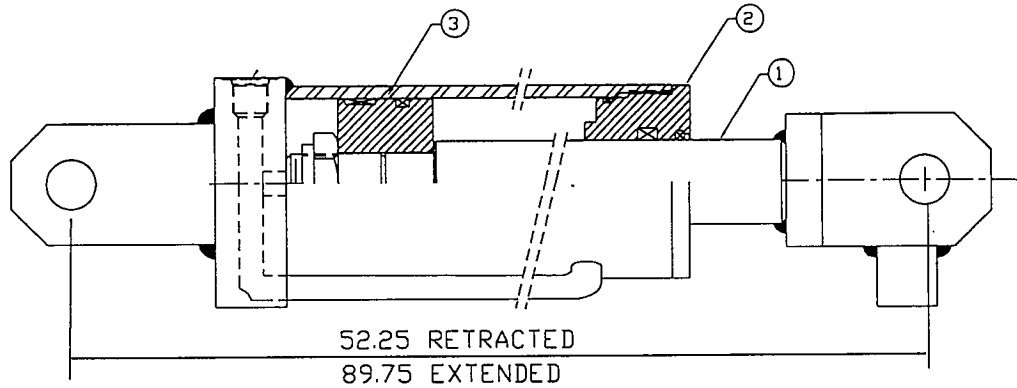
AHW12 FRONT POST ASSEMBLY

DWG NO.  
01970002

# VIKING CIVES

## LIFT CYLINDER

DWG. NO. 80168H

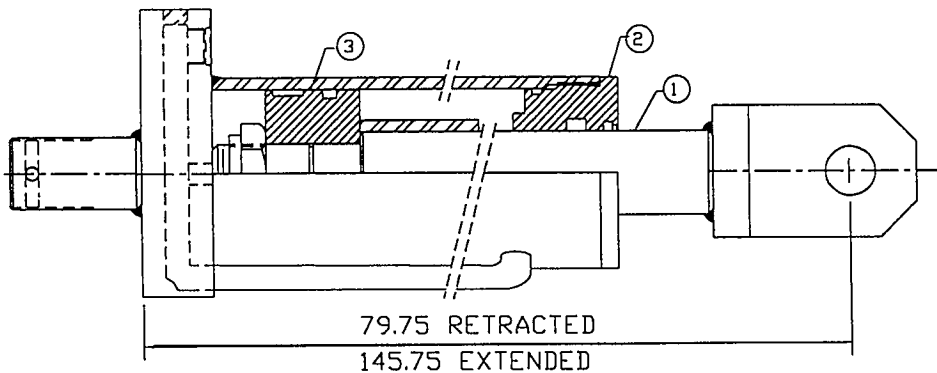


VIKING 3 1/2 X 37 1/2 CYLINDER

④	SEAL KIT	SP95-033S
③	PISTON	SP95-034P
②	GLAND	SP95-033D
①	ROD WELDMENT	SP95-033B
ITEM	DESCRIPTION	PART NO.

## FRONT POST CYLINDER

DWG. NO. 80169C



VIKING 3 1/2 X 66 CYLINDER

④	SEAL KIT	SP95-033S
③	PISTON	SP95-034P
②	GLAND	SP95-033D
①	ROD WELDMENT	SP95-034B
ITEM	DESCRIPTION	PART NO.

AHW12 FRONT POST ASSEMBLY

DWG NO.  
00601076

July 3, 1996

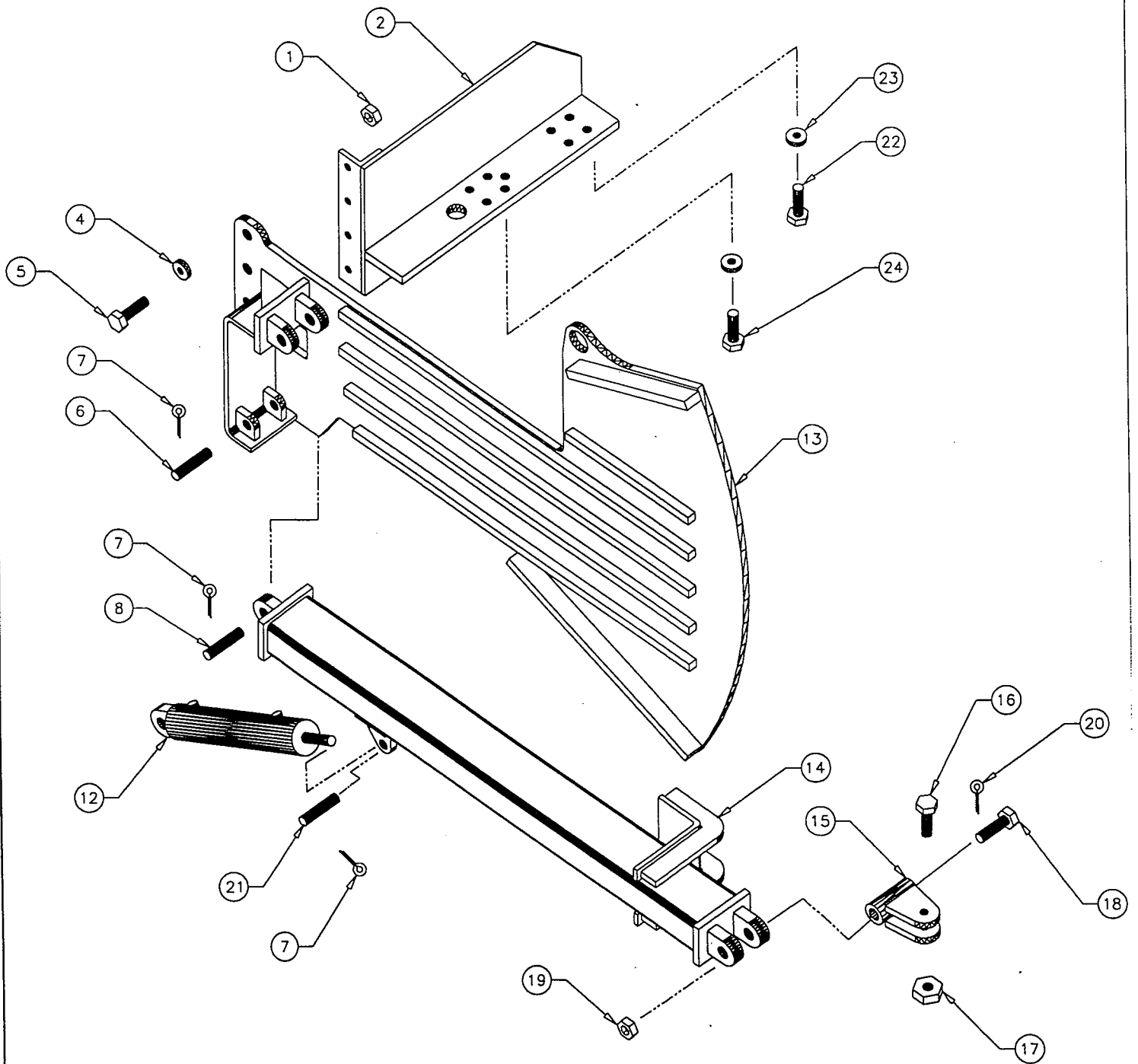
01970001

## REAR ELEVATING FANTAIL

REF. NO.	PART NO.	QUANTITY	DESCRIPTION
1	81063	4	NUT 3/4-10 GR.2
2	AHW005	1	LEFT SIDE ASS'Y
3			
4	81062Y	4	FLAT WASHER 3/4
5	81065F	4	CAPSCREW 3/4 x 2-3/4 GR.8
6	AHW010	1	CYLINDER PIN 1.0 x 4-1/2
7	80518	6	COTTER PIN 3/16 x 2.0
8	AHW012	1	LIFT TUBE PIN 1-1/4 x 4-1/2
9			
10			
11			
12	80173	1	LIFT CYLINDER 4 x 10 DA.
13	AHW006	1	JOHN DEERE BACK PLATE ASS'Y
14	AHW004	1	LIFT TUBE ASS'Y
15	AHW026	1	SWIVEL EAR ASS'Y
16	81085	1	SHEAR BOLT 1/2 x 3-1/2 GR.2
17	81079E	1	LOCK NUT 1/2
18	AHW063	1	BOLT 1-1/4 x 8-1/2 GR.5
19	81006	1	SLOTTED NUT 1-1/4
20	80507	1	COTTER PIN 1/4 x 3.0
21	AHW010	1	LIFT CYLINDER PIN
22	81064E	16	BOLT 3/4 x 2.0 GR.8 (FANTAIL)
23	81062D	18	3/4 HARDENED FLATWASHER
24	81065F	2	BOLT 3/4 x 2-3/4 GR.8 (SKID PAN)



# VIKING CIVES



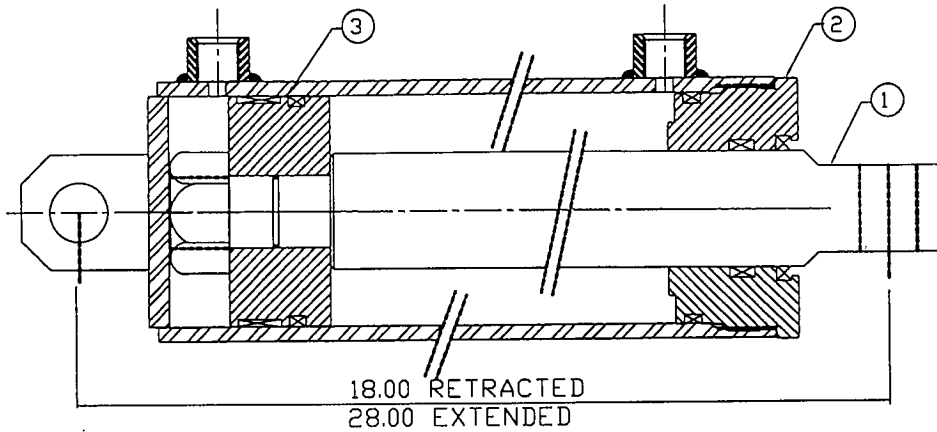
AHW12 \ REAR ELEVATION FANTAIL

DWG NO.  
01970001

# VIKING CIVES

## LIFT CYLINDER

DWG. NO. 80173



VIKING 4 X 10 X 2 CYLINDER

④	SEAL KIT	SP95-029S
③	PISTON	SP95-029P
②	GLAND	SP95-025D
①	ROD WELDMENT	SP95-029B
ITEM	DESCRIPTION	PART NO.

AHW12 REAR ELEVATION FANTAIL

DWG NO.  
00601077

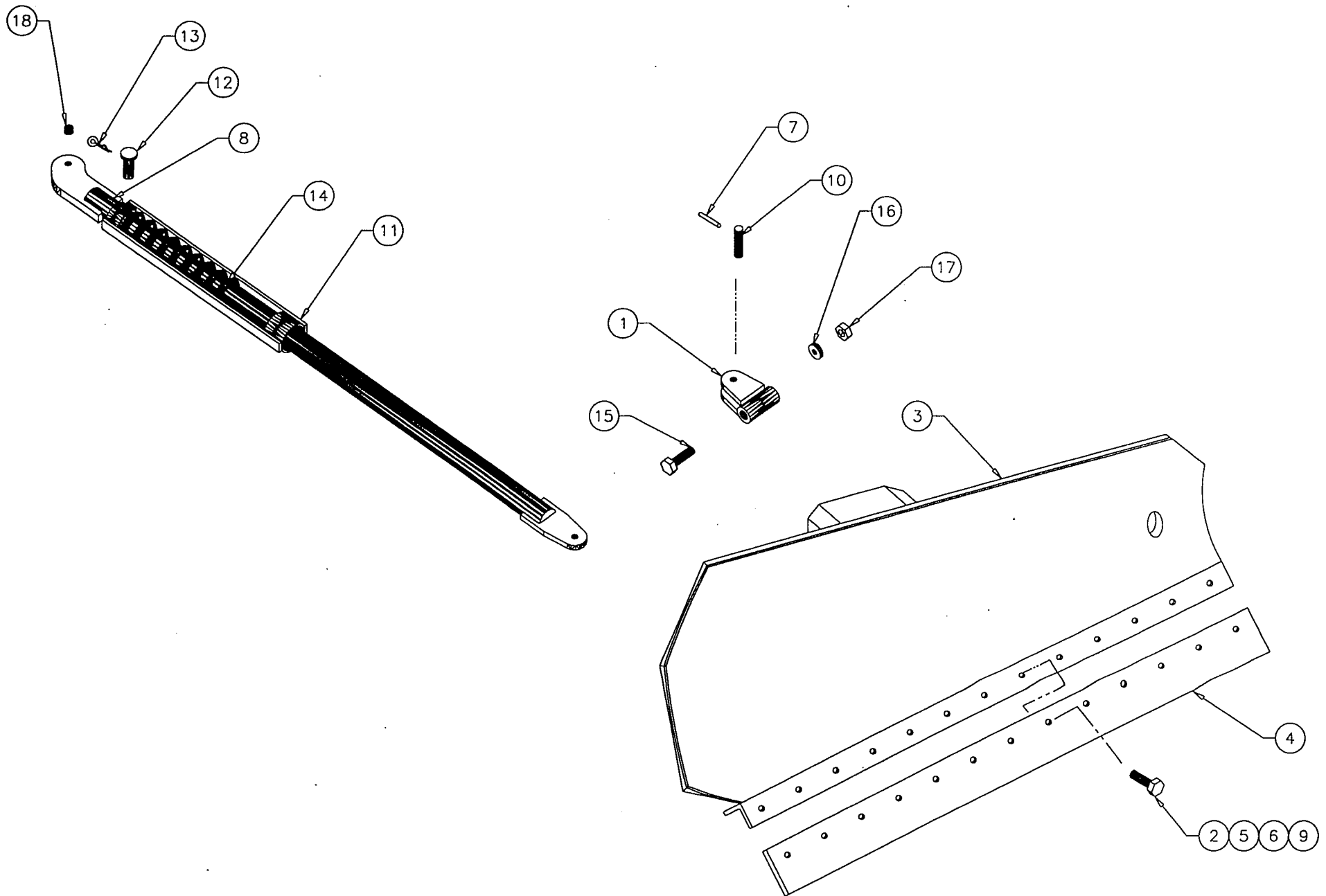
July 3, 1996

01970003

## AHW12 WING \ PUSHBEAM ASSEMBLY

REF. NO.	PART NO.	QUANTITY	DESCRIPTION
1	AHW033	1	PUSHBEAM / MOLDBOARD JOINT
2	81070E	14	5/8 FLATWASHER
3	AHW001	1	12 FT. MOLDBOARD ASS'Y (HYD.)
4	80045A	1	1/2 x 8 x 144 BLADE, TOP PUNCHED
5	81069H	14	PLOW NUT 5/8 GR.5
6	81074C	14	PLOW BOLT 5/8 x 2.0 GR.8
7	80569A	2	ROLL PIN 3/8 x 2-1/2
8	AHW037	1	INNER PUSH BEAM
9	81070C	14	5/8 LOCKWASHER
10	AHW019	1	PUSHBEAM JOINT PIN 1-1/4 x 4
11	AHW038	1	OUTER PUSHBEAM WITH CAGE
12	AHW027	1	PIN ASS'Y
13	80536	1	HITCH PIN CLIP #6
14	80402	1	COMPRESSION SPRING
15	81023D	1	1-1/4 x 7 HEX BOLT
16	81015B	1	1-1/4 LOCKWASHER
17	81004B	1	1-1/4 LOCKNUT
18	80488B	1	CONVEX SHEAR BUSHING





VIKING CIVES

AHW12 WING\PUSHBEAM ASSEMBLY

DWG NO.  
01970003